

ASSEMBLY INSTRUCTIONS - SEP

1. Every connection is formed from a series of flexible connections whose number varies according to the rated current.
2. Use the chart attached to find your series of flexible. To look for:
 - a) the execution of the line: 3P; 3P+N(1/2P); etc.
 - b) the material of the conductor of the flexible purchased: copper (ETP99,9) or aluminium
 - c) the current of the flexible purchased or the relative code: 800 - 6300A or SEPxxx.
3. When you found your series of flexible, extract the same one from the pack with the quantities and the type pointed out in the chart:
ex. = 2 x A. means that it needs to take n° 2 flexible type A.
4. Make the electric connection respecting the quantities of the chart for every single phase in the following way:
 - a) cutting (from the part of the flexible not perforated) every flexible of the necessary length.
 - b) removing the insulating material for an equivalent height to the surface of contact that will be necessary.
 - c) perforating the flexible in 4 points, to connect it to TR or panel with 4 nuts, washers and bolts. The sequence of mounting is screw, washer, flexible, silver plate (if necessary), bar, nut.
 - d) ATTENTION: in the case of flexible in AL use among flexible and TR or panel the silvered plaque supplied.
 - e) place same number of flexibles on the left and on the right of the bar.
 - f) the torque to close the screws of flexibles is the same of the joints of the line.

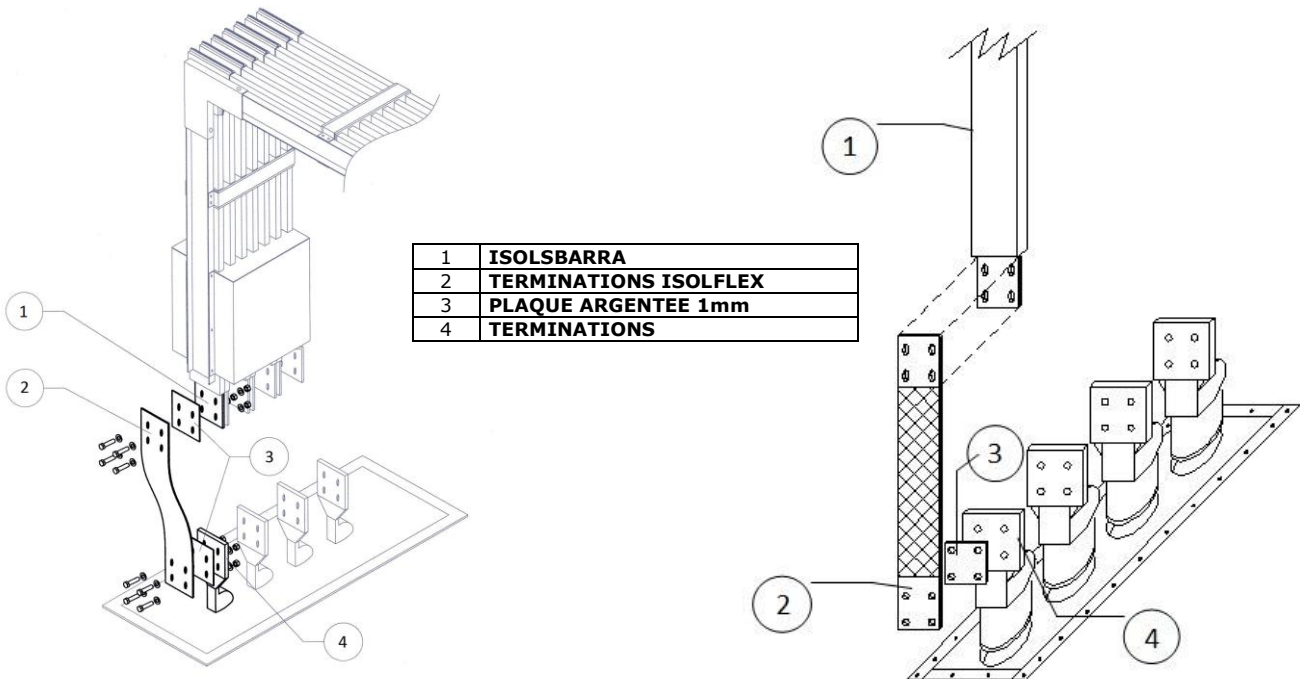
NOTE that number and type of flex to use depends by the rating of the line. Respect the sequence written in execution drawing to avoid mistakes. If needed it is possible to add an additional plate externally to the flexibles. In this case it must be with same material of flexibles and bolts must be closed at same torque. Cut, pierce and connect ISOLFLEX terminals (6) to the transformer terminals or to the main switchboard terminals (8). Only for Aluminium flexibles: positioning the silver plated plates (7) between ISOLFLEX and the connecting terminals (see drawing).

NOTES

The direct contact between Al and Cu is forbidden; it's necessary to install a silvered copper plates between different material conductors.

Please note the table below:

LINE	FLEXIBLE	TR / PANEL	SILVERED COPPER PLATE	WHERE?
Al	Al	Al	NO	-
Al	Al	Cu	YES	Flex - TR/Panel
Al	Al	Cu (silvered)	NO	-
Al	Cu	Al	YES	Line - Flex & Flex - TR/Panel
Al	Cu	Cu	YES	Line - Flex
Cu	Al	Al	YES	Line - Flex
Cu	Al	Cu	YES	Line - Flex & Flex - TR/Panel
Cu	Cu	Al	YES	Flex - TR/Panel
Cu	Cu	Cu	NO	-



The table below shows the different available flexible typologies with the correspondent material (Al/Cu) and thickness (expressed in mm).

TYPE	MATERIAL	THICKNESS (mm)
A	Cu	4
B	Cu	5
C	Cu	6,5
D	Al	4
E	Al	5